

A RESOLUTION AUTHORIZING THE MAYOR AND FINANCE DIRECTOR TO ENTER INTO AN AGREEMENT WITH KENMORE CONSTRUCTION CO., INC. FOR REPAIRS OF SANITARY SEWER PUMP STATION NO. 2 ON AN EMERGENCY BASIS

WHEREAS, one of the pumps at Sanitary Sewer Pump Station No. 2 is in immediate need of repair; and

and WHEREAS, Sanitary Sewer Pump Station No. 2 has one active functioning pump;

WHEREAS, if there is a breakdown on the one active functioning pump at Sanitary Sewer Pump Station No. 2, the entire sanitary sewer system of the Village will be incapacitated; and

WHEREAS, the Service Director has received several proposals for the valve replacement and installation of bypass piping for Sanitary Sewer Pump Station No. 2; and

WHEREAS, the Service Director recommends the acceptance of the proposal of Kenmore Construction Co., Inc. in an amount not to exceed \$39,309.00 on an emergency basis without the necessity of formal bidding and advertisement; and

WHEREAS, the foregoing circumstances constitute a real and present emergency within the provisions of Section 735.051 of the Ohio Revised Code.

NOW, THEREFORE, BE IT RESOLVED by the Council of the Village of Richfield, State of Ohio, two-thirds of the members elected thereto concurring:

SECTION 1. That the proposal of Kenmore Construction Co., Inc. dated July 18, 1997 for valve replacement and installation of bypass piping at Sanitary Sewer Pump Station No. 2 in an amount not to exceed \$39,309.00 be, and the same hereby is, accepted on an emergency basis without the necessity of formal bidding and advertisement.

SECTION 2. This Resolution is hereby declared to be an emergency measure necessary for the immediate preservation of the public health, safety and welfare and for the further reason that it is immediately necessary for the continued operation of the sanitary sewer system; wherefore, provided this Resolution receives the affirmative vote of two-thirds of the members of Council elected or appointed, it shall take effect

immediately upon its passage and execution by the Mayor; otherwise, it shall take effect and be in force from and after the earliest period allowed by law.

Passed: July 29, 1997

May A. Malone  
Vice President of Council

Donald B. Larsen  
Mayor

Dated: 7/29/97

ATTEST:

Carole Gibson  
Clerk of Council

STANDARD CONTRACT

Res. # 46-1997

This contract and agreement made and entered into this 4th day of August 19 97 by and between the VILLAGE OF RICHFIELD hereinafter known as the Client and Kenmore Construction Co., Inc. hereinafter known as the Supplier/Contractor.

WITNESSETH


That the Supplier/contractor, for in consideration of the sum of \$ 39,309.00 to be paid as hereinafter set forth, agrees to supply the following:

SPECIFICATIONS:

Installation of plug valves and bypass piping for Sanitary Sewer Pump Station No. 2 as detailed in the attached Request for Cost Proposal and drawings.

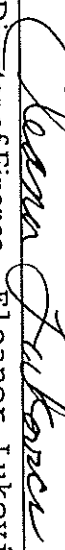
We hereby certify that pursuant to the authority conferred, the Village of Richfield, on the 29th day of July, 19 97, duly approved the foregoing contract and directed the mayor and director of finance to enter into the said contract on behalf of the Village of Richfield, Ohio.

**KENMORE CONSTRUCTION CO., INC.**

  
Supplier William A. Scala, President

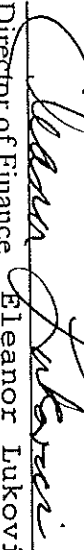


Mayor Donald H. Larsen

  
Director of Finance Eleanor Lukovics

CERTIFICATE OF DIRECTOR OF FINANCE

I hereby certify that the money for the payment of the foregoing obligation has been lawfully appropriated for purposes and is in the treasury or in the process of collection to the credit of the appropriate fund free from any previous encumbrances.

  
Director of Finance Eleanor Lukovics

# Village of Richfield

4410 W. STREETSBORO ROAD  
P.O. BOX 387  
RICHFIELD, OHIO 44286-0387  
216-659-9201

DONALD H. LARSEN, Mayor  
ROBERT J. HOOPER, Council President

ELEANOR LUKOVICS, Finance Director  
LARRY WILSON, Service Director

## REQUEST FOR COST PROPOSAL VALVE REPLACEMENT AND INSTALLATION OF BYPASS PIPING SANITARY SEWER PUMP STATION NO. 2 VILLAGE OF RICHFIELD, OHIO

The Village of Richfield is seeking cost proposals for the installation of plug valves and bypass piping for Sanitary Sewer Pump Station No. 2 as detailed in the following Scope of Work.

Deadline for proposals is 4 p.m. Friday, July 18, 1997. The Village desires that repairs begin immediately after execution of a contract.

Please call Mr. Said W. Abou Abdallah, P.E., of Finkbeiner, Pettis & Strout, Inc., (FPS) Consulting Engineers, 1-330-434-1995, with questions on the Scope of Work.

Plans of Pump Station No. 2 may be viewed at the Richfield Service Department, 4450 W. Streetsboro Road, or at FPS, Suite 2400, 520 South Main Street, Akron, OH 44311.

For additional information, please contact Service Director Robert Wilkinson, at 1-216-659-9201.

### SCOPE OF WORK

Pump Station No. 2 is located at the intersection of Brecksville and Townsend Roads in the Village of Richfield.

The work involves:

1. Replacement of three (3) 12-inch Plug Valves at the pump suction piping. The Village will furnish new plug valves for installation.
2. Installation of bypass piping and related appurtenances as detailed in Figures 1 and 2 (previously distributed).

NOTE: Contractor shall provide bypass pumps for this project.

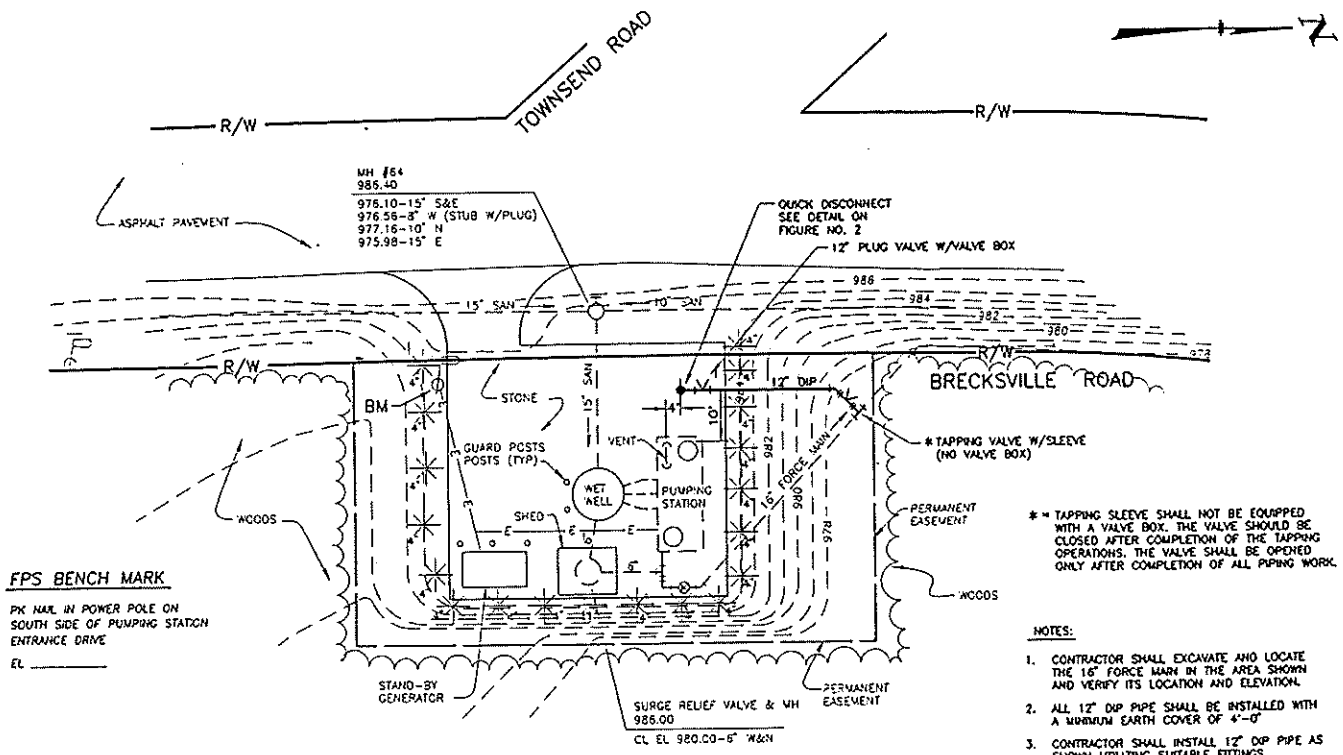
The Contractor shall dewater and clean the wet well, and replace all three plug valves. Work is to be completed within 15 consecutive calendar days from a written notice to proceed from the Village.

For the pump station work, the Contractor shall include in his price the cost to dewater the wet well and any required sections of the 16-inch force main which leaves the pumping station; removal and replacement of the plug valves; any needed bolts and nuts; clean up of the wet well and dry well and immediate pumping station area, and any other work item deemed necessary by the Contractor to complete the work in a professional and workmanlike manner.

The Village also requests the contractor to submit daily and weekly rental rates for bypass pump rental for future emergencies.

Please send proposals in duplicate to:

Mr. Robert Wilkinson  
Service Director  
Village of Richfield  
4410 West Streetsboro Road  
Richfield, OH 44286



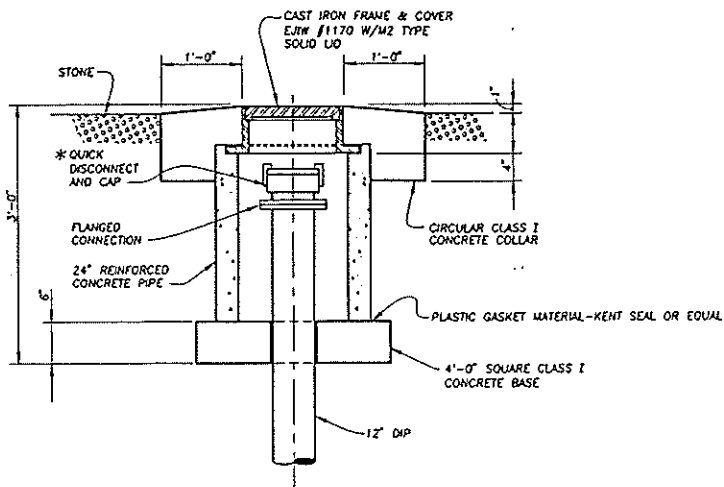
\* TAPPING SLEEVE SHALL NOT BE EQUIPPED WITH A VALVE BOX. THE VALVE SHOULD BE CLOSED AFTER COMPLETION OF THE TAPPING OPERATIONS. THE VALVE SHALL BE OPENED ONLY AFTER COMPLETION OF ALL PIPING WORK.

- NOTES:
1. CONTRACTOR SHALL EXCAVATE AND LOCATE THE 15" FORCE MAIN IN THE AREA SHOWN AND VERIFY ITS LOCATION AND ELEVATION.
  2. ALL 12" DIP PIPE SHALL BE INSTALLED WITH A MINIMUM EARTH COVER OF 4'-0"
  3. CONTRACTOR SHALL INSTALL 12" DIP PIPE AS SHOWN UTILIZING SUITABLE FITTINGS

**SITE PLAN**  
SCALE: 1"=20'

FIGURE NO. 1  
PUMPING STATION NO.2  
**PUMPING STATION BY-PASS**  
**RICHFIELD, OHIO**

FINKBEINER, PETTIS & STROUT, INC.  
AKRON, OHIO  
1997



\* = CONTRACTOR SHALL FURNISH AND INSTALL THE REQUIRED 12 INCH PIPE INCLUDING THE QUICK DISCONNECT NEEDED FOR THE BY-PASS PUMPING. WHEN WORK IS COMPLETED THE CONTRACTOR SHALL REMOVE THE FLANGE AND QUICK DISCONNECT AND INSTALL A BUND FLANGE.

**QUICK DISCONNECT DETAIL**

NOT TO SCALE

**SPECIFICATIONS/ NOTES**

1. ALL 12" PIPING AND FITTINGS SHALL BE DUCTILE IRON PIPE, CLASS 32 IN ACCORDANCE WITH AWWA C151. ALL 12" PIPE SHALL BE PROVIDED WITH RESTRAINED MECHANICAL JOINTS. ALL JOINTS SHALL COMPLY WITH AWWA C111 AND SHALL UTILIZE A MEGALUG AS MANUFACTURED BY EBBA IRON, INC. ALL BURIED PIPE SHALL BE POLYETHYLENE ENCASED, MINIMUM 8 MIL THICK AND TAPED ALL IN ACCORDANCE WITH AWWA C105. DUCTILE IRON PIPE SHALL BE CEMENT LINED IN ACCORDANCE WITH AWWA C104 AND SHALL HAVE A BITUMINOUS EXTERIOR COATING. THE PIPING SHOWN SHALL BE INSTALLED IN THE LOCATION SHOWN AND TO A DEPTH OF COVER OF 4'-0" MINIMUM. AFTER INSTALLATION THE PIPE SHALL BE TESTED FOR LEAKAGE UTILIZING A PRESSURE TEST AT 100 PSI FOR 2 HOURS. THERE SHALL BE NO ALLOWABLE LEAKAGE DURING THE 2 HOUR TEST.
2. FLANGED PIPE SHALL BE IN ACCORDANCE WITH AWWA C115 AND SHALL INCORPORATE DUCTILE IRON FLANGES ANSI CLASS 125.
3. CLASS I CONCRETE SHALL BE SUCH; TO ACHIEVE 4000 PSI COMPRESSIVE STRENGTH IN 28 DAYS; TO BE 6% AIR ENTRAINED; WITH A MAXIMUM SLUMP OF 4 INCHES.
4. REINFORCED CONCRETE PIPE SHALL BE IN ACCORDANCE WITH ASTM C76 WITH A MINIMUM WALL THICKNESS OF 3 INCHES.
5. PLUG VALVE SHALL BE DEZURIK SERIES 100 EQUIPPED WITH A GEAR ACTUATOR. VALVE ENDS SHALL BE OF THE MECHANICAL JOINT TYPE.
6. VALVE BOX SHALL BE COATED CAST IRON, THREE PIECE SERIES TYPE, 5 1/4" SHAFT, HEAVY COVER WITH THE WORDS "SEWER" CAST ON TOP. THE VALVE BOX SHALL BE OF SUFFICIENT LENGTH TO BE FLUSH WITH SURROUNDING SURFACE WHEN INSTALLED.
7. TAPPING VALVE SHALL BE CLOW TAPPING VALVE, MUELLER TAPPING VALVE OR AS APPROVED. THE VALVE SHALL HAVE PROPER ENDS TO CONNECT TO THE TAPPING SLEEVE AND ONE MECHANICAL JOINT END. THE VALVE SHALL BE A GATE VALVE WITH METAL (AWWA C500) OR RESILIENT (AWWA C509) SEAT WITH AN OPERATING NUT.
8. TAPPING SLEEVE SHALL BE A TWO PIECE CAST IRON MECHANICAL JOINT TYPE WITH GASKETS. THE SLEEVE SHALL BE CLOW TAPPING OR AS APPROVED. TAPPING SLEEVE SHALL ACCOMMODATE THE TAPPING VALVE.

FIGURE NO. 2  
 GENERAL NOTES AND DETAILS  
**PUMPING STATION BY-PASS  
 RICHFIELD, OHIO**

FINKBEINER, PETTIS & STROUT, INC.  
 AKRON, OHIO  
 1997